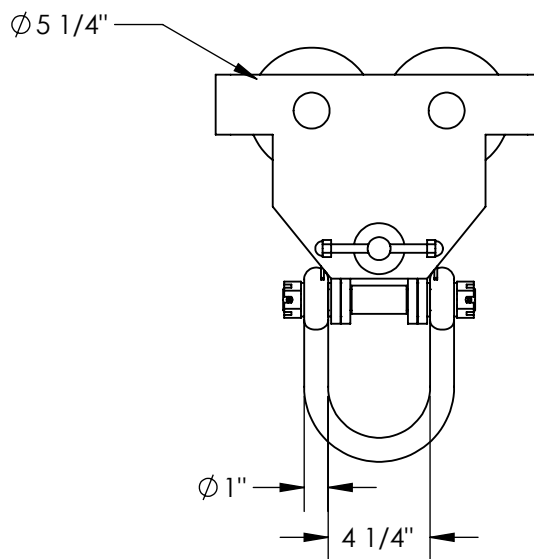
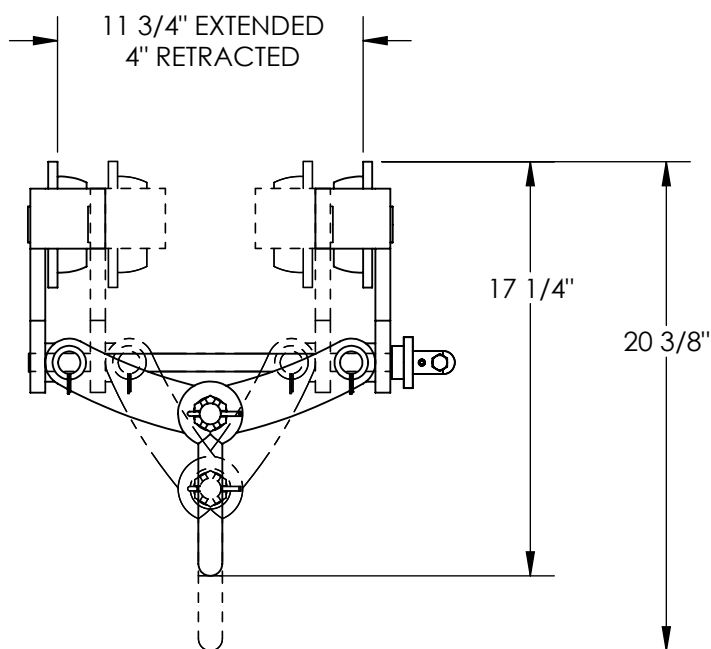
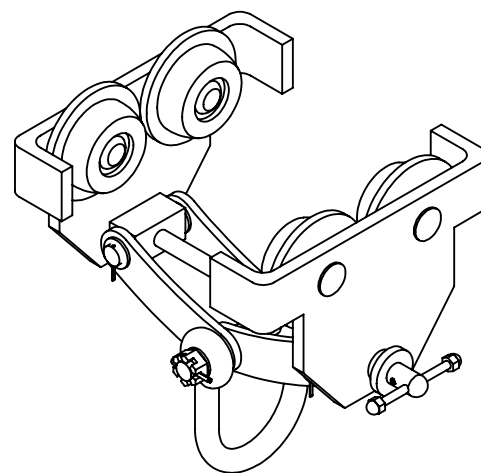
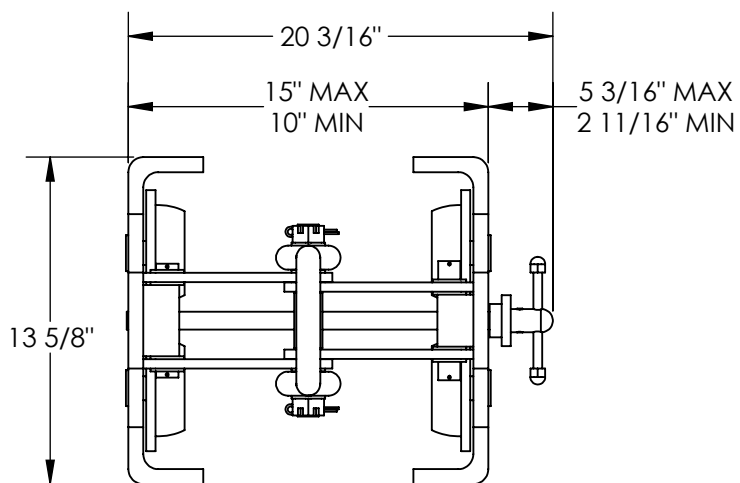


QUICK INSTALL MANUAL TROLLEY - QIT-8

APPROX WEIGHT: 78.57 lbs.
 DOES NOT INCLUDE WEIGHT OF POWER OR PACKAGING!!!

ANY ADDITIONS, DELETIONS, OR OMISSIONS MUST BE CORRECTED ON THIS DRAWING AS THIS DRAWING WILL BE CONSIDERED ALL INCLUSIVE



DIMENSION TOLERANCE $\pm 1/4"$

ALL GRAPHICS PROVIDED ARE FOR REFERENCE ONLY. IF CERTAIN DIMENSIONS ARE CRITICAL PLEASE VERIFY THOSE DIMENSIONS WITH YOUR SALESPERSON

STANDARD FEATURES

- MODEL NUMBER IS QIT-8
- FITS BEAM FLANGE WIDTH OF 4" TO 11 3/4"
- HEADROOM IS 13 7/8"
- OVERALL WIDTH IS 20 3/16"
- OVERALL LENGTH IS 13 5/8"
- OVERALL HEIGHT IS 20 3/8" MAX AND 17 1/4" MIN
- UNIFORM CAPACITY LOAD IS 8,000 LBS
- STEEL CONSTRUCTION WITH PAINTED FINISH
- 4 1/4" SHACKLE

SPECIAL FEATURES

NONE

FOR INTERNAL USE ONLY
 PROJECT SIGN OFF

SALES	
ENG.	
FAB.	
POWER	

NOTE:

CAN BE USED ON S, H, W, & M
 TYPE I-BEAMS

APPROVAL

I, THE UNDERSIGNED, AGREE THAT THE PRODUCT AS REPRESENTED SATISFIES DESIGN AND DIMENSION REQUIREMENTS. I ALSO ACKNOWLEDGE MY DUTY TO CONFIRM PRODUCT AND INSTALLATION COMPLIANCE WITH ALL APPLICABLE FEDERAL, STATE AND LOCAL REGULATIONS AND STANDARDS.

ANY MODIFIED UNITS ARE NON-RETURNABLE

As drawn As marked

Signed: _____ Date: _____

Printed Name: _____

LEAD TIME WILL START UPON RECEIPT OF SIGNED APPROVAL DRAWING

DISTRIBUTOR'S NAME:		P.O.#
VESTIL MANUFACTURING		X
DRAWN BY: WHR		W.O.#
DATE: 5/17/12		X
REFERENCE: X	SCALE: 1:8	SALES: X
QUOTED LEAD TIME: X	QUOTE # X	FILE NAME:
		30-007-252